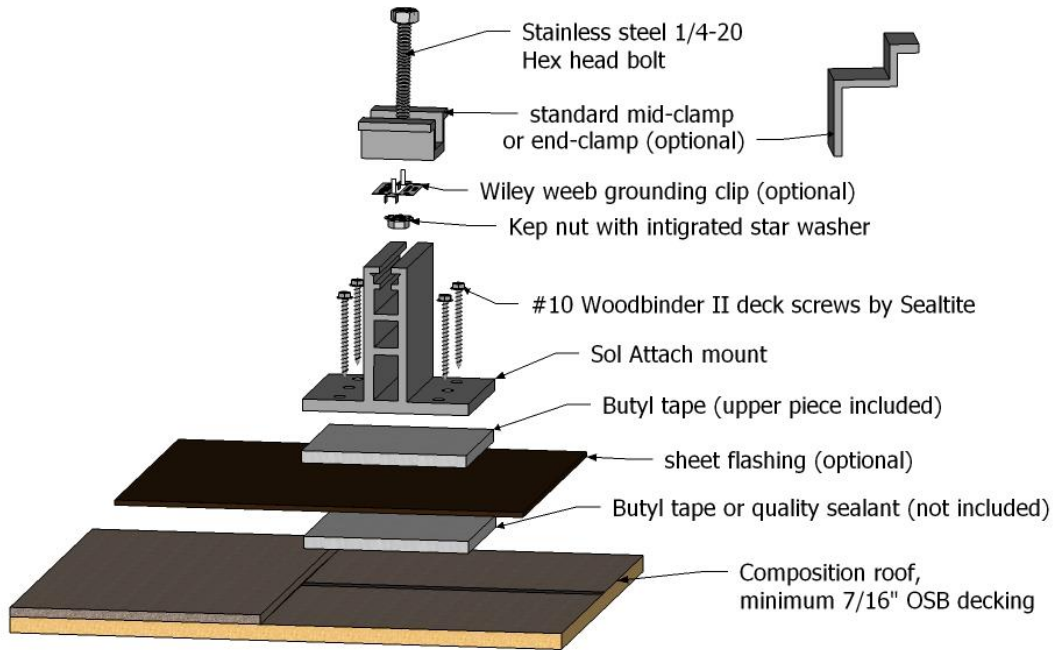
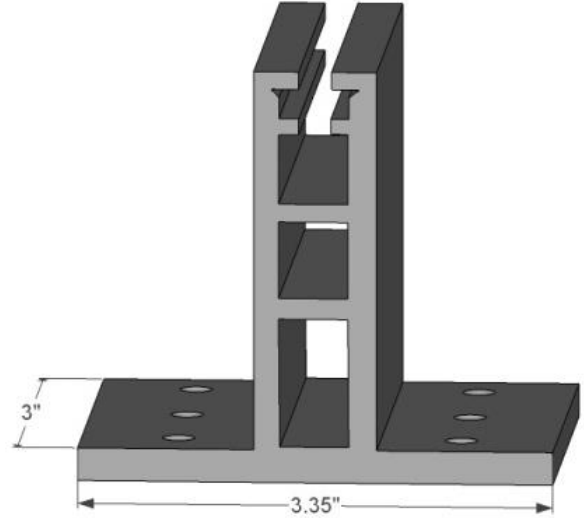
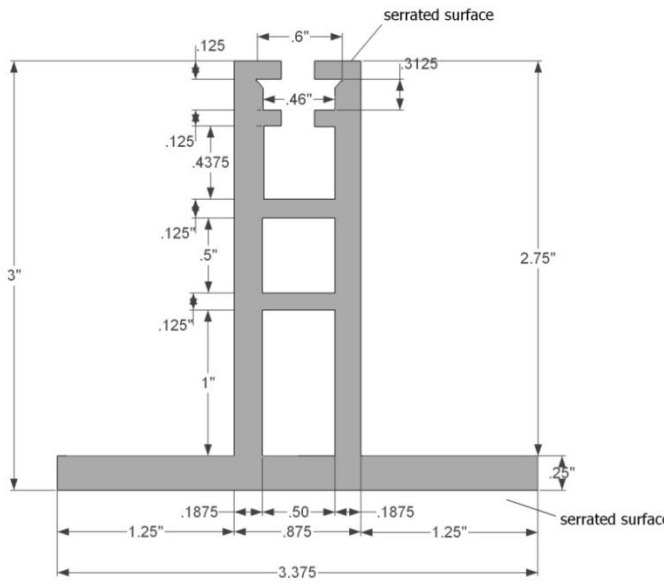


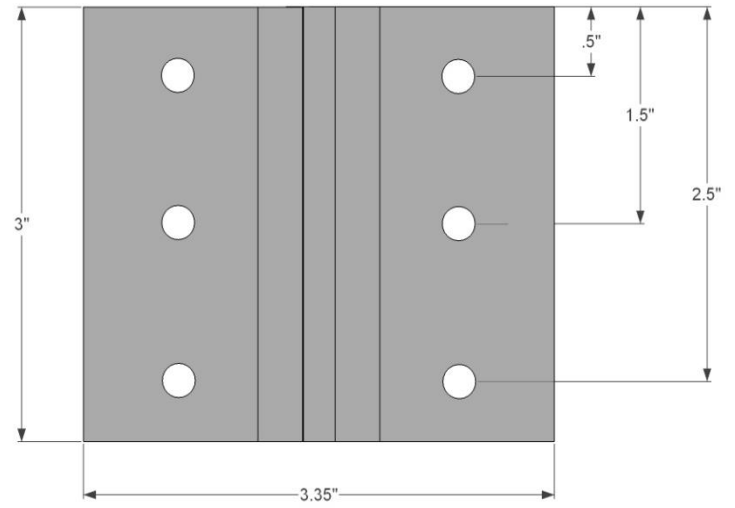
SOL ATTACH

Sol Attach, LLC
Composition roof mounting foot
Extrusions made of 6061-T6 alloy
Patent Pending





Front View



Top View

Flat flashing

